

Specification

Model Number	Depth-Inches	Drain Placement
KSN-2318	9"	Center



SINK DESCRIPTION

- ▶ 1800 series single bowl undermount sink
- ▶ 18 gauge stainless steel, Brushed finish
- ▶ Center drain location
- ▶ Mounting brackets included, other standard mounting hardware and silicone sealant not included
- ▶ Sound SHIELD sound absorbing system

CUTOUT DIMENSTIONS

- ▶ Template included : template number KSN-2318

PRODUCT COMPLIANCE

- ▶ Third party certified by IAPMO to meet ASME A112.19.3/CSA1345.4 and all applicable specifications referenced therein

WARRANTY

- ▶ Limited lifetime warranty against material or manufacturing defects to the original consumer purchaser

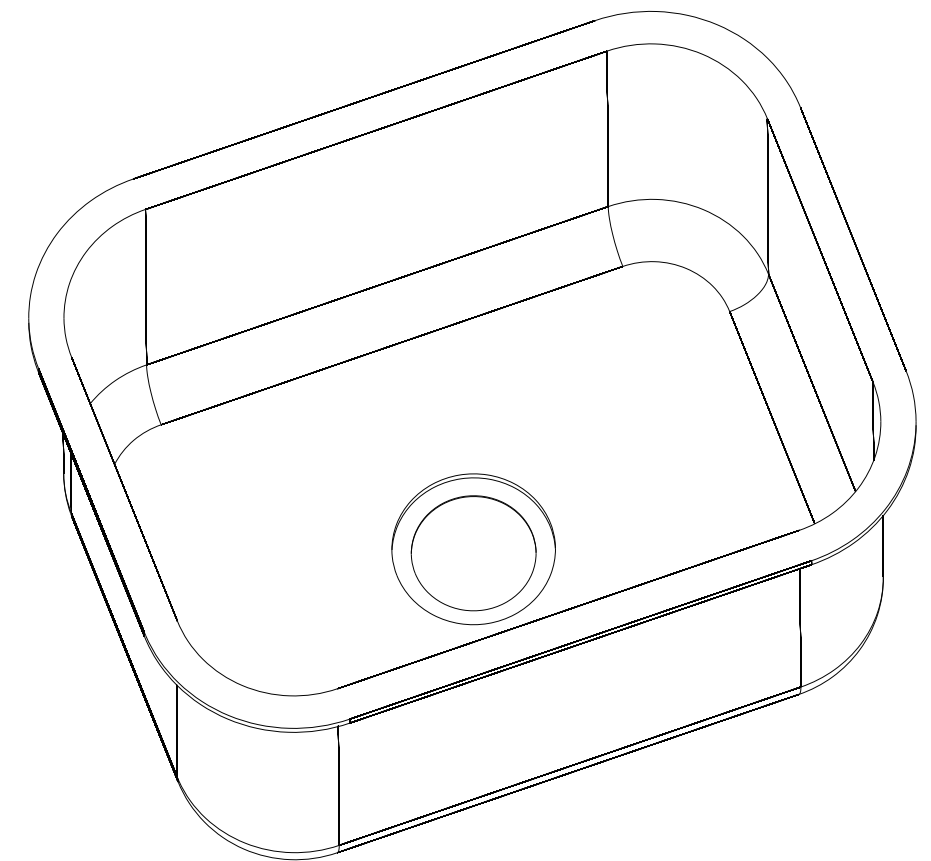
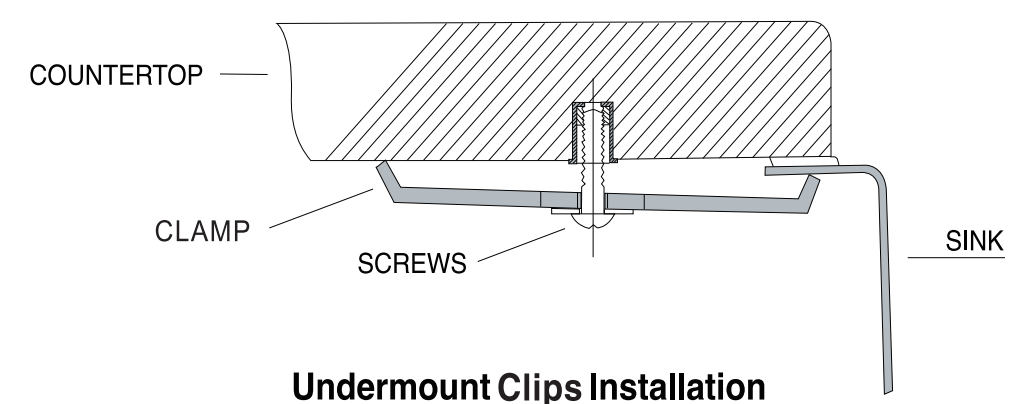
TECHNICAL SPECIFICATION

Installation	Under-mount
Bowl area	Length: 23 1/4" (Outside) 21 1/4" (Inside) Width: 17 3/4" (Outside) 15 3/4" (Inside) Bowl Depth : 9"
Drain Hole	3-1/2"
Template	required , Included

Note:

Install this product according to the installation instruction
 Minimum base cabinet width 24"
 Consult an installer for confirmation.

Installation Detail



CRITICAL DIMENSIONS

(DO NOT SCALE)

