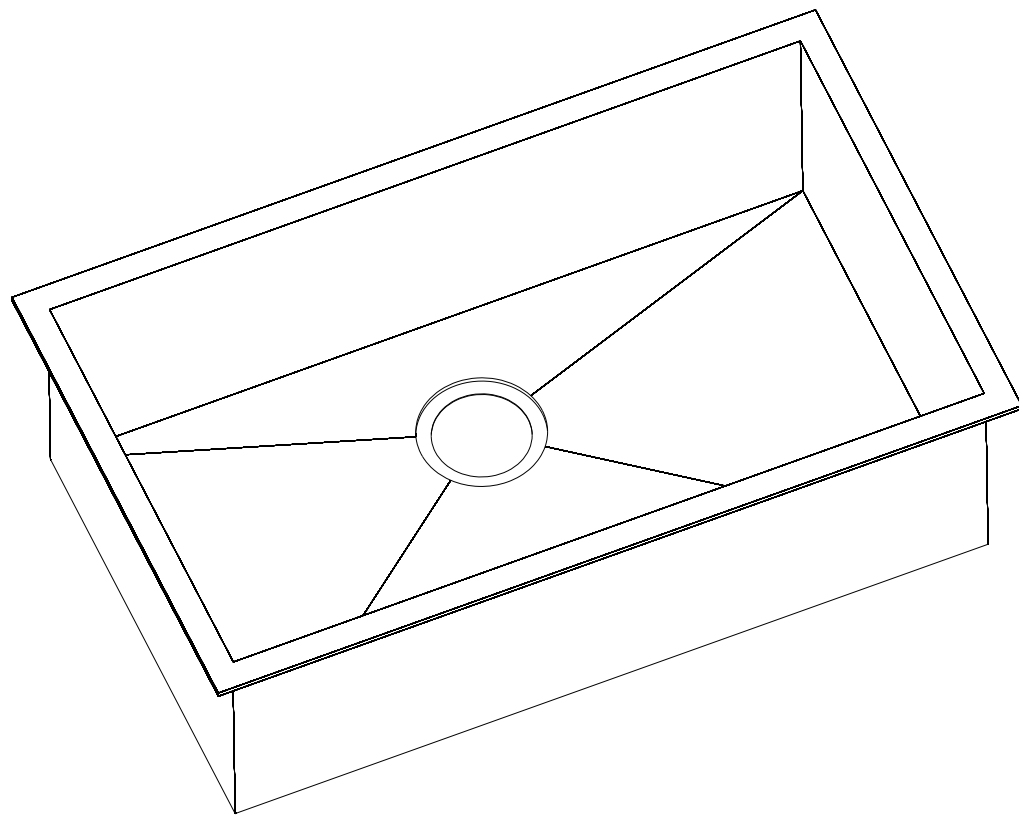




# Specifications

Model Number	Depth-Inches	Drain Placement	Model Specified
KH-3018	10"	Back	



## SINK DESCRIPTION

- 1800 Series double bowl undermount sink
- 18 gauge stainless steel, Brushed finish
- Center drain location
- Mounting brackets included, other standard mounting hardware and silicone sealant not included
- SoundSHIELD sound absorbing system

## CUT OUT DIMENSIONS

Template included - template number KH-3018

## STANDARDS

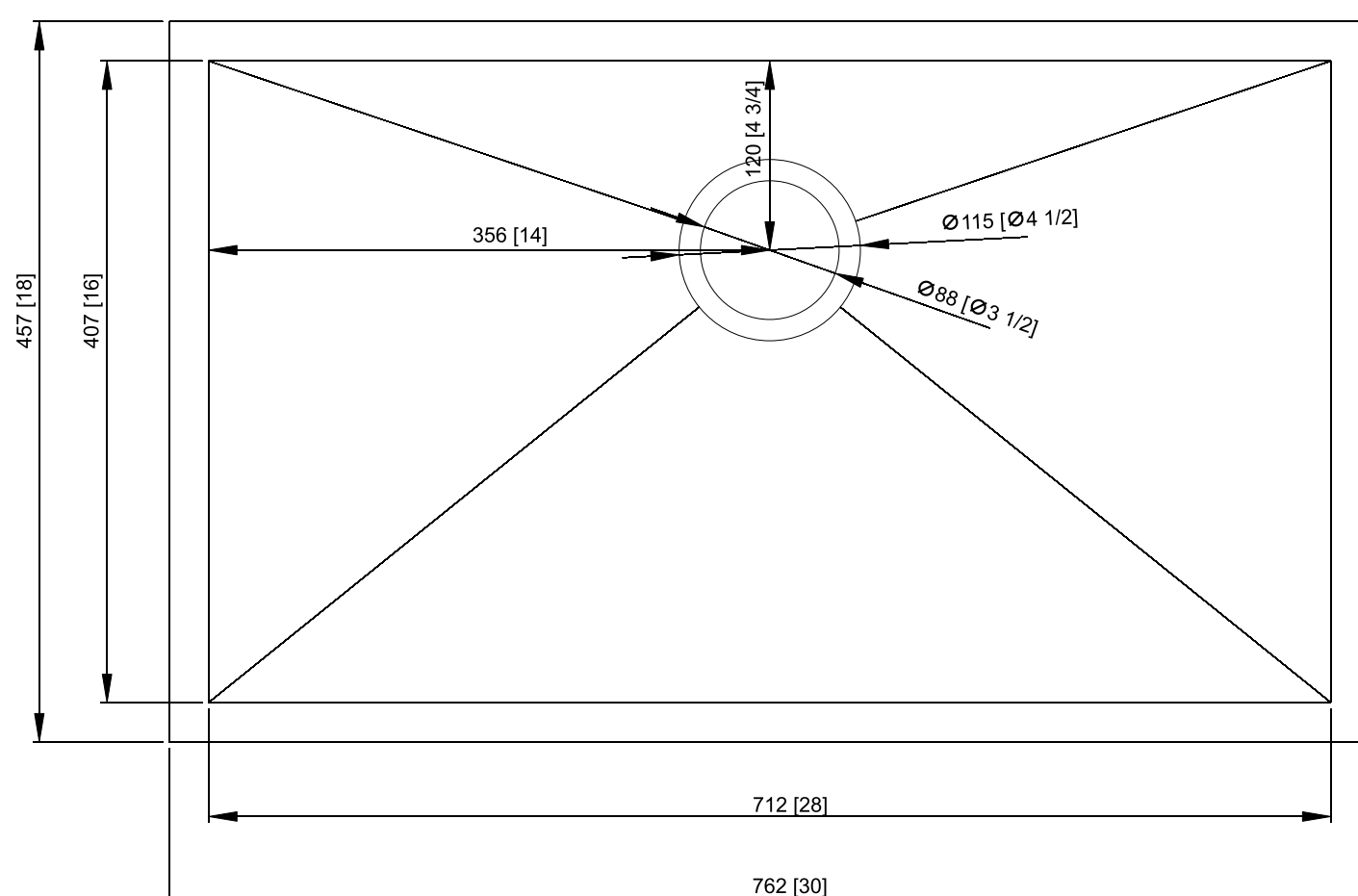
- Third party certified by IAPMO to meet ASME A112.19.3 and all applicable specifications referenced therein

## WARRANTY

- Limited lifetime warranty against material or manufacturing defects to the original consumer purchaser

## CRITICAL DIMENSIONS

(DO NOT SCALE)



## Installation Detail

